

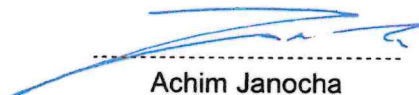


Industrie Service

# EU-TYPE EXAMINATION CERTIFICATE

According to Annex IV, Part A of Directive 2014/33/EU

<b>Certificate No.:</b>	EU-OG 082-2
<b>Notified Body:</b>	TÜV SÜD Industrie Service GmbH Westendstr. 199 80686 Munich – Germany Identification No. 0036
<b>Certificate Holder:</b>	P.F.B. s.r.l. Via Raimondo Dalla Costa, 690 41122 Modena – Italy
<b>Manufacturer of the Test Sample:</b> (Manufacturer of Serial Production – see Enclosure)	P.F.B. s.r.l. Via Raimondo Dalla Costa, 690 41122 Modena – Italy
<b>Product:</b>	Overspeed governor, detecting and tripping element fixed at the overspeed governor, as a part of the protection device against overspeed for the car moving in upwards direction
<b>Type:</b>	R1 LR
<b>Directive:</b>	2014/33/EU
<b>Reference Standards:</b>	EN 81-20:2020 EN 81-50:2020
<b>Test Report:</b>	EU-OG 082-2 of 2023-04-24
<b>Outcome:</b>	The safety component conforms to the essential health and safety requirements of the mentioned Directive as long as the requirements of the annex of this certificate are kept.
<b>Date of Issue:</b>	2023-06-01

  
 Achim Janocha

Notified Body LCC



**Annex to the EU-Type Examination Certificate  
No. EU-OG 082-2 of 2023-06-01**



Industrie Service

**1 Scope of application**

1.1 Generally

1.1.1 Driving rope

Category Round strand rope made of steel wire

Diameter 6 – 8 mm

1.1.2 Tension forces (force produced by the tensioning weight, acting on the axis of rope deviating pulley)

Tension force determined in the test [N] (New rope and groove)	Tensile force in	
	Down direction [N]	Up direction [N]
583	736	----
1020	1619	451

Retraction of the safety gear in both directions of rotation permissible.

The safety component can fulfil two security features (1.2 and 1.3).

1.2 Using as an overspeed governor – permissible speeds

Permissible tripping speed 0.41 – 2.57 m/s

Permissible rated speed ≤ 2.23 m/s

1.3 Using as a part of the protection device against overspeed for the car moving in upwards direction

The overspeed governor can be used as a part of the protection device against overspeed for the car moving in upwards direction. Monitoring of upward speed will be done by overspeed governor itself and a braking device can be triggered (engaged) via the overspeed governor's electric safety device or mechanically.

**2 Terms and Conditions**

2.1 Above mentioned safety component represents only a part at the protection device against overspeed for the car moving in upwards direction. Only in combination with a braking component in accordance with the standard, which must be subjected to an own type-examination, can the system created fulfil the requirements for a protection device.

2.2 The adjusted tripping speed and the safety switch must be sealed against unauthorized adjustment (safety switch e.g. by colour sealing of the fastening bolts).

2.3 Positioning of the overspeed governor vertical and rope deflection with 180° angle of wrap.

2.4 The identification drawing R.1\_000BS including stamp dated 2023-04-24 shall be included to the EU type-examination for the identification and information of the general construction and operation and distinctness of the approved type.

2.5 The EU type-examination certificate may only be used in combination with the corresponding annex and enclosure (List of authorized manufacturer of the serial production). The enclosure will be updated immediately after any change by the certification holder.

**Annex to the EU-Type Examination Certificate  
No. EU-OG 082-2 of 2023-06-01**



Industrie Service

**3 Remarks**

- 3.1 Changes of characteristics in scope of application over time are not covered by this type examination.
- 3.2 Possible design variants (also in combination):
- Preliminary switch off
  - Protection device against rope leaving the pulley
  - Protection cover
  - Testing groove
- 3.3 The overspeed governor can also be used to a counterweight in compliance with the permissible tripping speed.
- 3.4 This EU type-examination certificate was issued according to the following standards:
- EN 81-20:2020 (D), Number 5.6.2.2.1.7, and 5.6.6.11
  - EN 81-50:2020 (D), Number 5.4 and 5.7
- A revision of this EU type-examination certificate is inevitable in case of changes or additions of the above mentioned standards or of changes of state of the art.
- 3.5 The Certification Body LCC of the TÜV SÜD Industrie Service GmbH is a Certification Body accredited by DAkkS according to DIN EN ISO 17065. The accreditation is only valid for the scope of accreditation listed in the Annex of the certificate D-ZE-14153-03-02.

**Enclosure to the EU Type-Examination Certificate  
No. EU-OG 082-2 of 2023-06-01**

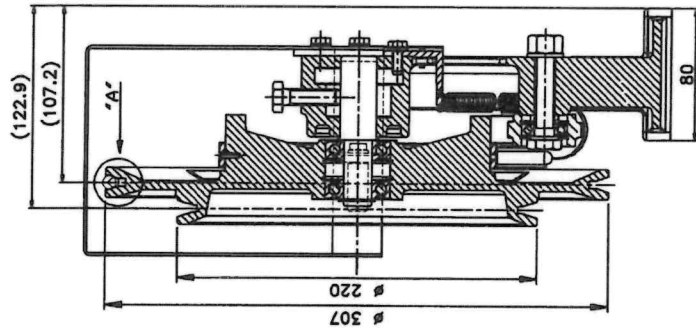
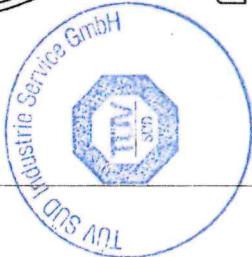
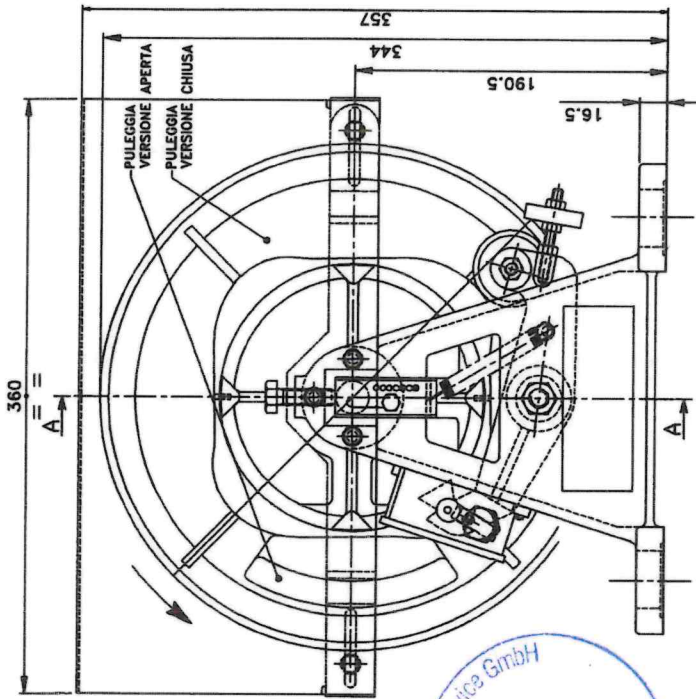


Industrie Service

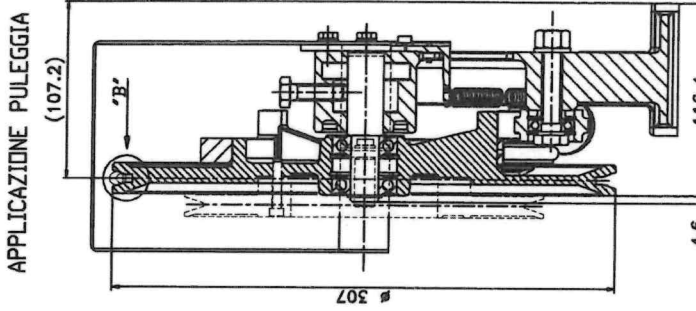
**Authorised Manufacturer of Serial Production – Production Sites (valid from: 2023-04-18):**

**Company** P.F.B. s.r.l.  
**Address** Via Raimondo Dalla Costa, 690  
41122 Modena – Italy

- END OF DOCUMENT -



Sez.A-A



Sez.A-A

APPLICAZIONE PULEGGIA DI PROVA

INGRANDIMENTO "A"  
ENLARGEMENT "A"

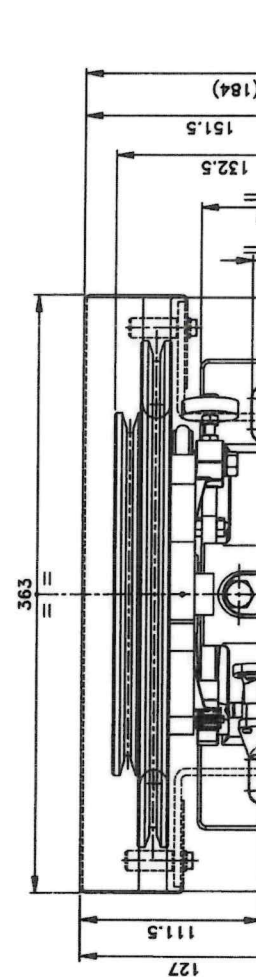
INGRANDIMENTO "B"  
ENLARGEMENT "B"

FUNE Ø6/8  
ROPE Ø6/8

FUNE Ø6/8  
ROPE Ø6/8

MODIFICHE - MODIFIKATIONEN

NR.	DATA	DESCRIZIONE	NR.	DATA	DESCRIZIONE
NR.	DATUM	BESCHREIBUNG	NR.	DATUM	BESCHREIBUNG
1	03/'99	MODIFICATA DIMENSIONE 192 A 190,5	2	07/'00	AGGIUNTO CARTER CON RELATIVI SUPPORTI
3	05/'02	AGGIORNAM. VARI VEDERE COMPLESSIVO GRANDE	4	22/06/'15	VERIFICATO DISEGNI (StudioTre)
5	06/10/'16	AGGIUNTO VERS. CON PULEGGIA DI PROVA (StudioTre)	6	12/01/'18	MODIFICATO GRAFICA (StudioTre)
7	06/'19	MODIFICATO GRAFICA (StudioTre)	8	10/02/'23	MODIFICATO GRAFICA



AVV. / 45°	scala	1:3	g.ta'	LAVORGEN.	NOTE
Raggi non quotati					
TOLL. LIBERE	DENOMINAZIONE				
S.L. RUGG. MAX. TOLL.	COMPLESSIVO				
± 0,2	GRUPPO LIMITATORE DI VELOCITA' R1 (L.R)				
± 0,15	INTERNATIONAL PATENT N°				
± 0,1	FORI				
± 0,04	COMPONENTI MECCANICI PER ASCENSORI				
± 0,04	COD.N° 8024201300 (GENERICID)				
	DIS.N° R.1_000B.S				

24. APR. 2023  
 GEPRÜFT / APPROVATO  
 TÜV SÜD Industrie Service GmbH  
 Prof. Dr. rer. oec. Andreas Schick  
 08.03.1999  
 TÜV SÜD Industrie Service GmbH  
 Fachverständiger / Expert

(A3) N°FILE: RI\_000BS.DWG  
 IL PRESENTE DISEGNO E' DI PROPRIETA' DELLA PFB SRL, NE E' VIETATA LA DIVULGAZIONE A TERMINI DI LEGGE, SENZA AUTORIZZAZIONE